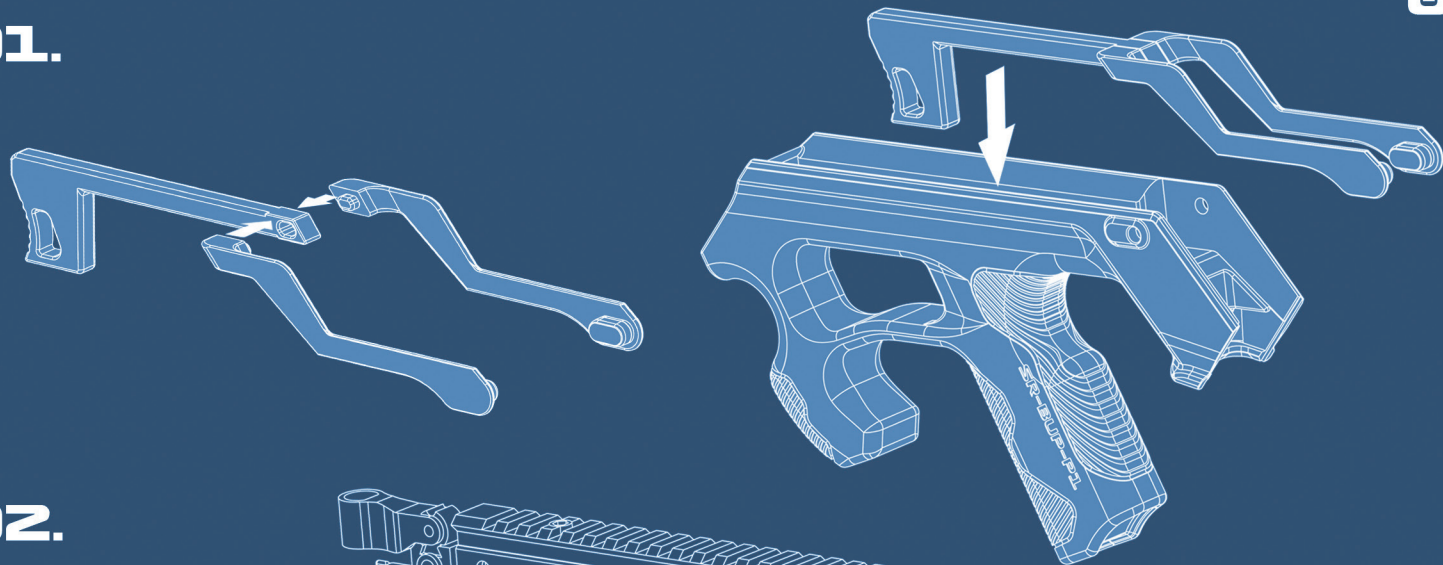




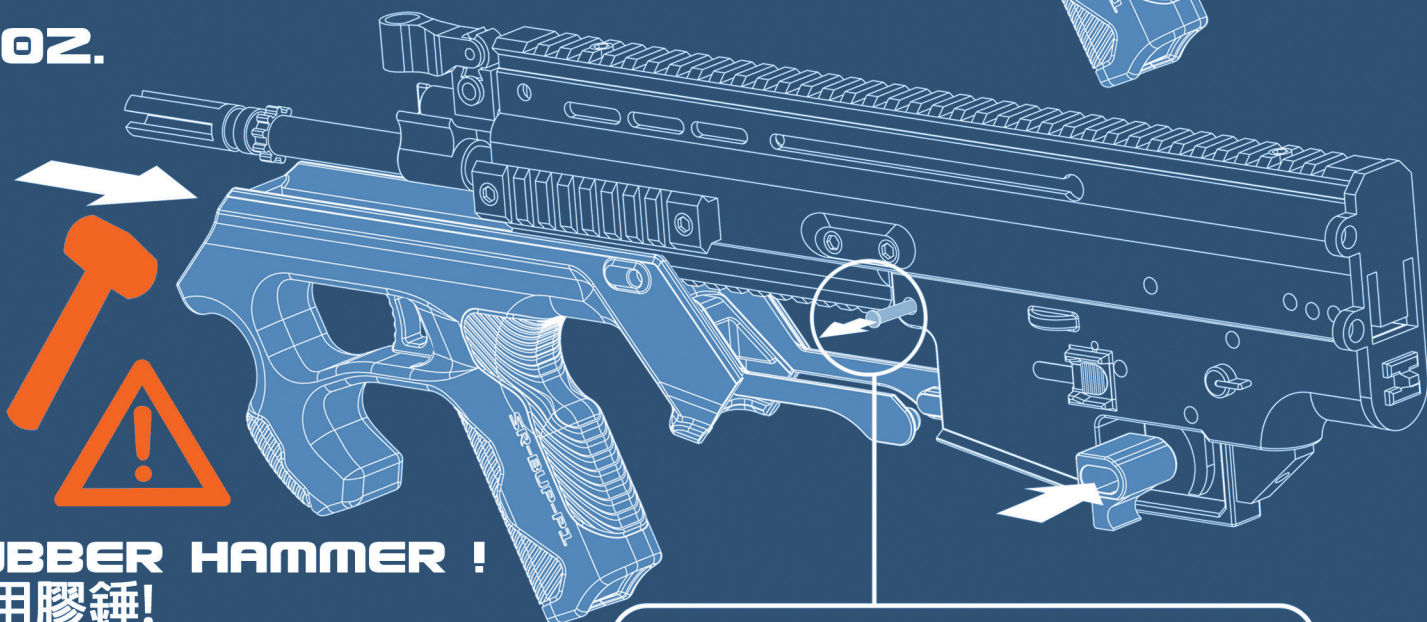
SR-BUP-P1 BULLPUP KIT INSTALLATION INSTRUCTION

SR-BUP-P1 SCAR-L 犢牛套件安裝說明

01.



02.



RUBBER HAMMER !
限用膠錘!

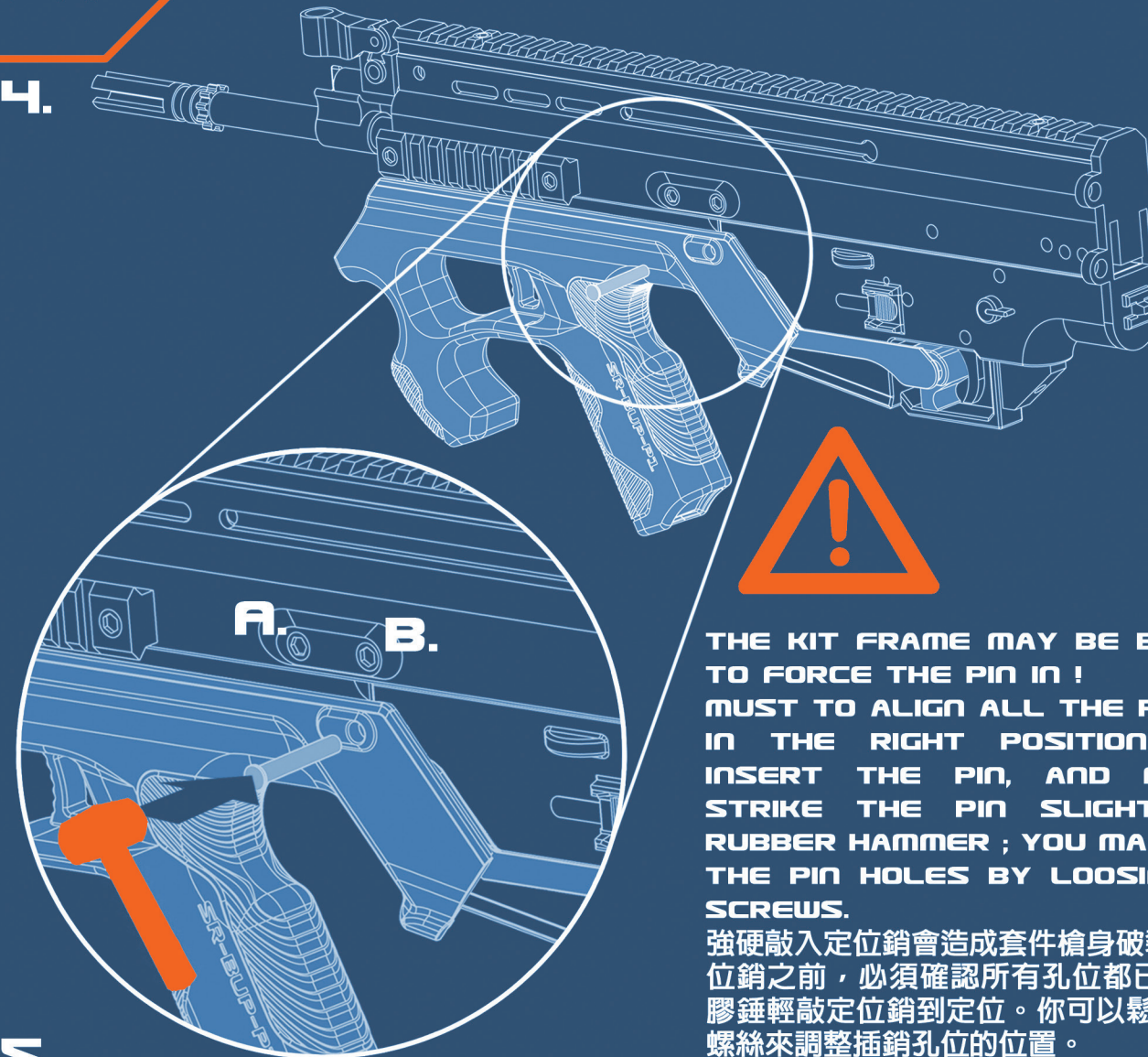
MUST TO TAKE OUT THE ORIGINAL PIN ON THE LOWER FRAME BEFORE ASSEMBLING THE FORE GRIP SET!
組裝前握把組時，必須先將下身的舊插銷拔除!

03.



TO CONNECT THE GANG TRIGGER SET.
將板機連動裝置確實組裝定位。

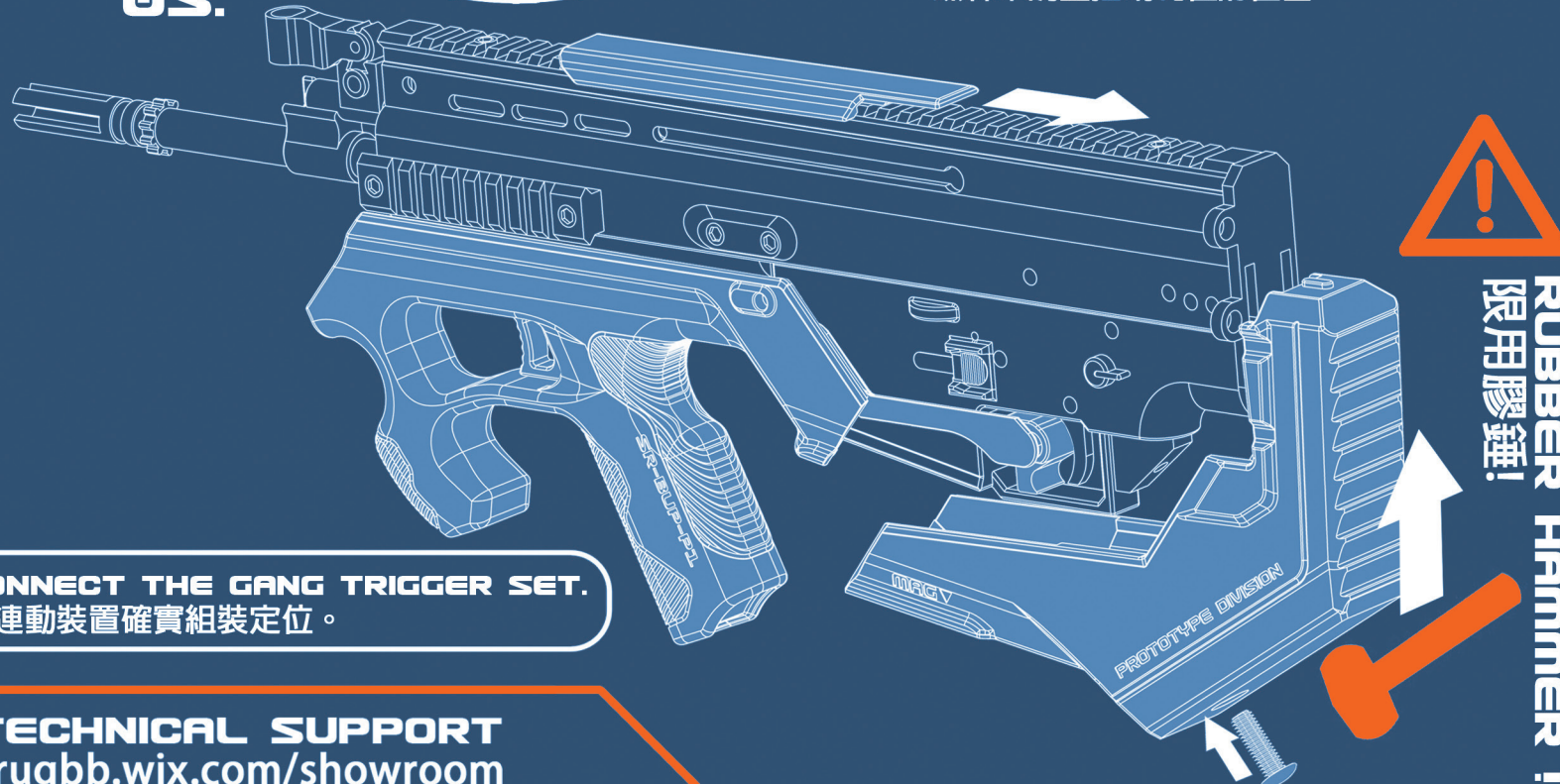
04.



THE KIT FRAME MAY BE BROKEN IF TO FORCE THE PIN IN ! MUST TO ALIGN ALL THE PIN HOLES IN THE RIGHT POSITION BEFORE INSERT THE PIN, AND MUST TO STRIKE THE PIN SLIGHTLY WITH RUBBER HAMMER ; YOU MAY ADJUST THE PIN HOLES BY LOOSING A & B SCREWS.

強硬敲入定位銷會造成套件槍身破裂！ 插入定位銷之前，必須確認所有孔位都已對準，並用膠錘輕敲定位銷到定位。你可以鬆開A與B處的螺絲來調整插銷孔位的位置。

05.



RUBBER HAMMER !
限用膠錘!

