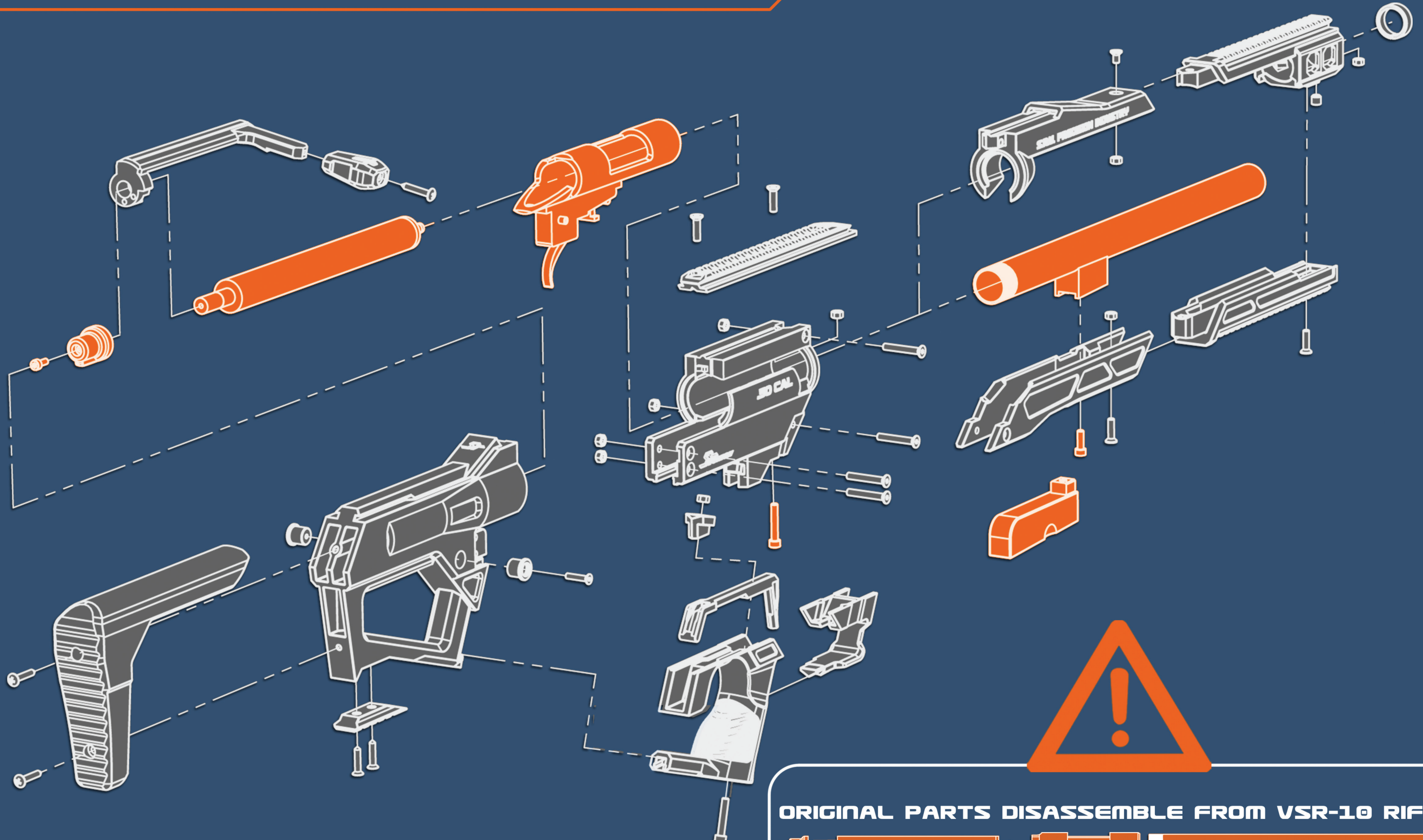
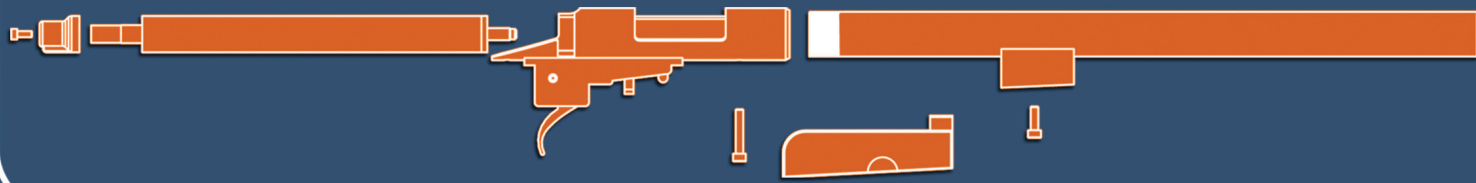


# SR-SNP-10 KIT

FOR TM VSR 10 (V. PRO & G-SPEC)



ORIGINAL PARTS DISASSEMBLE FROM VSR-10 RIFLE



TECHNICAL SUPPORT  
SRU.PRECISION@GMAIL.COM  
WWW.SRU-PRECISION.COM  
WWW.FACEBOOK.COM/SRUGBB

# SR-SNP-10 KIT FOR TM VSR 10

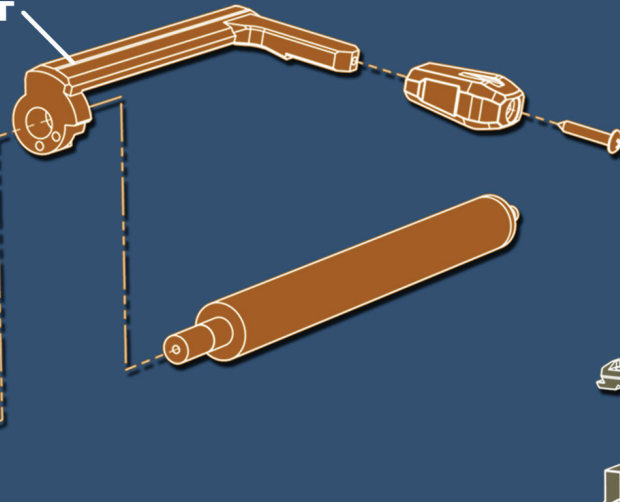
01.



REMOVE THE ORIGINAL SAFETY LATCH

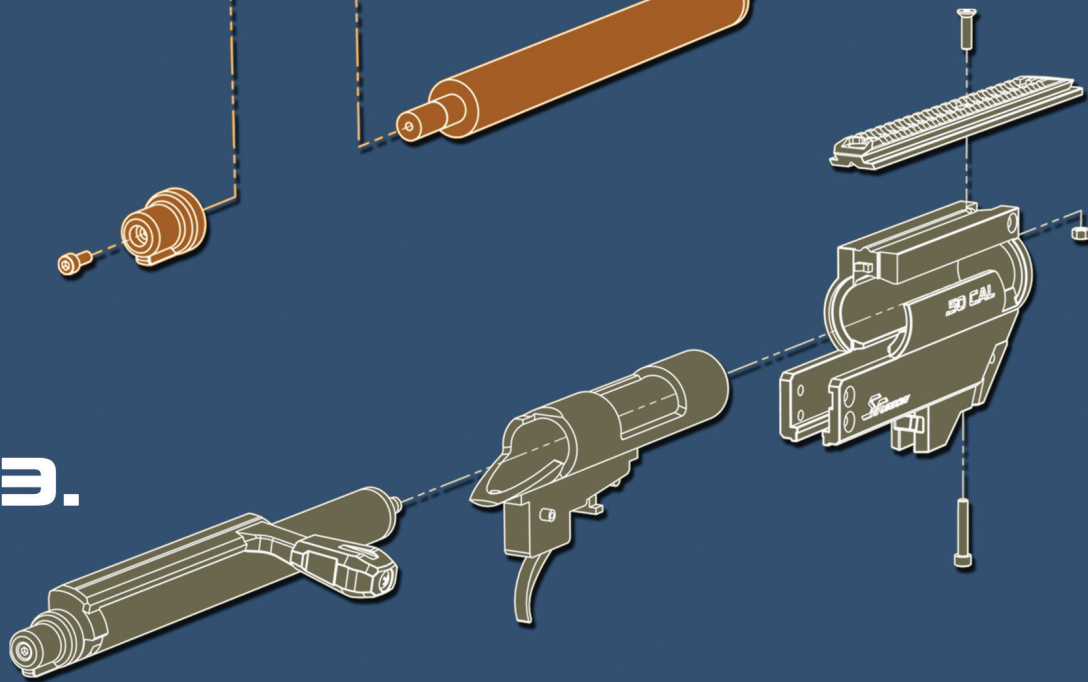
GREASE ON IT

02.

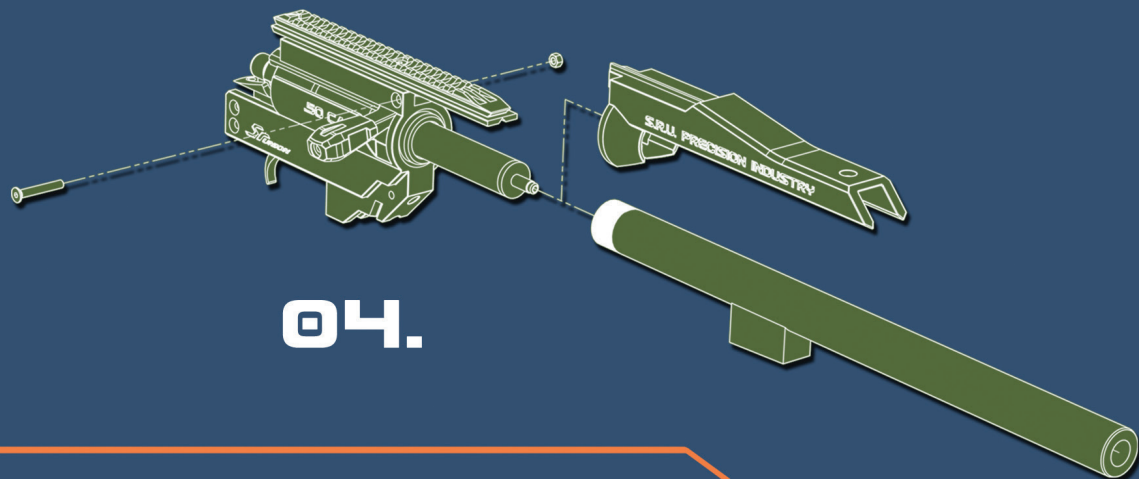


ASSEMBLE MAG LATCH FROM ORIGINAL RIFLE

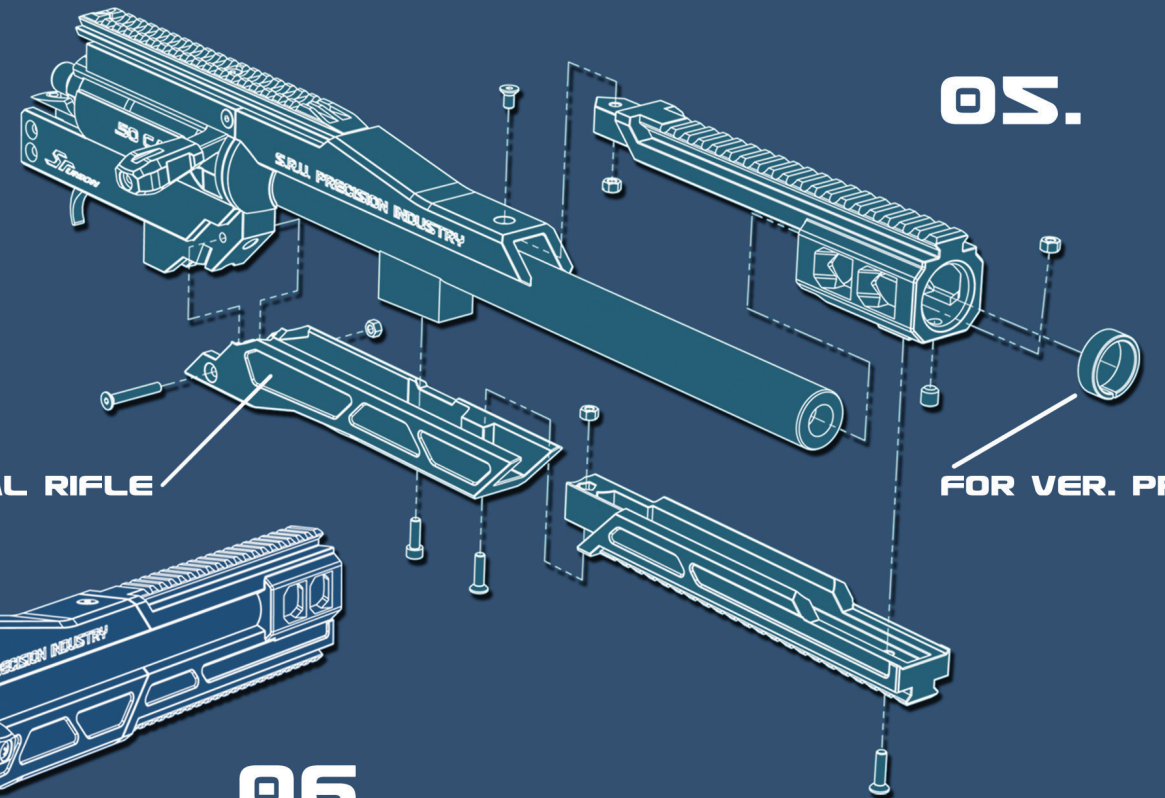
03.



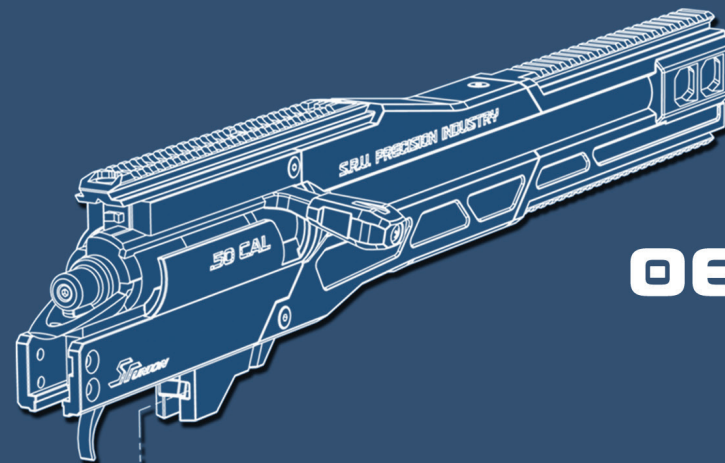
04.



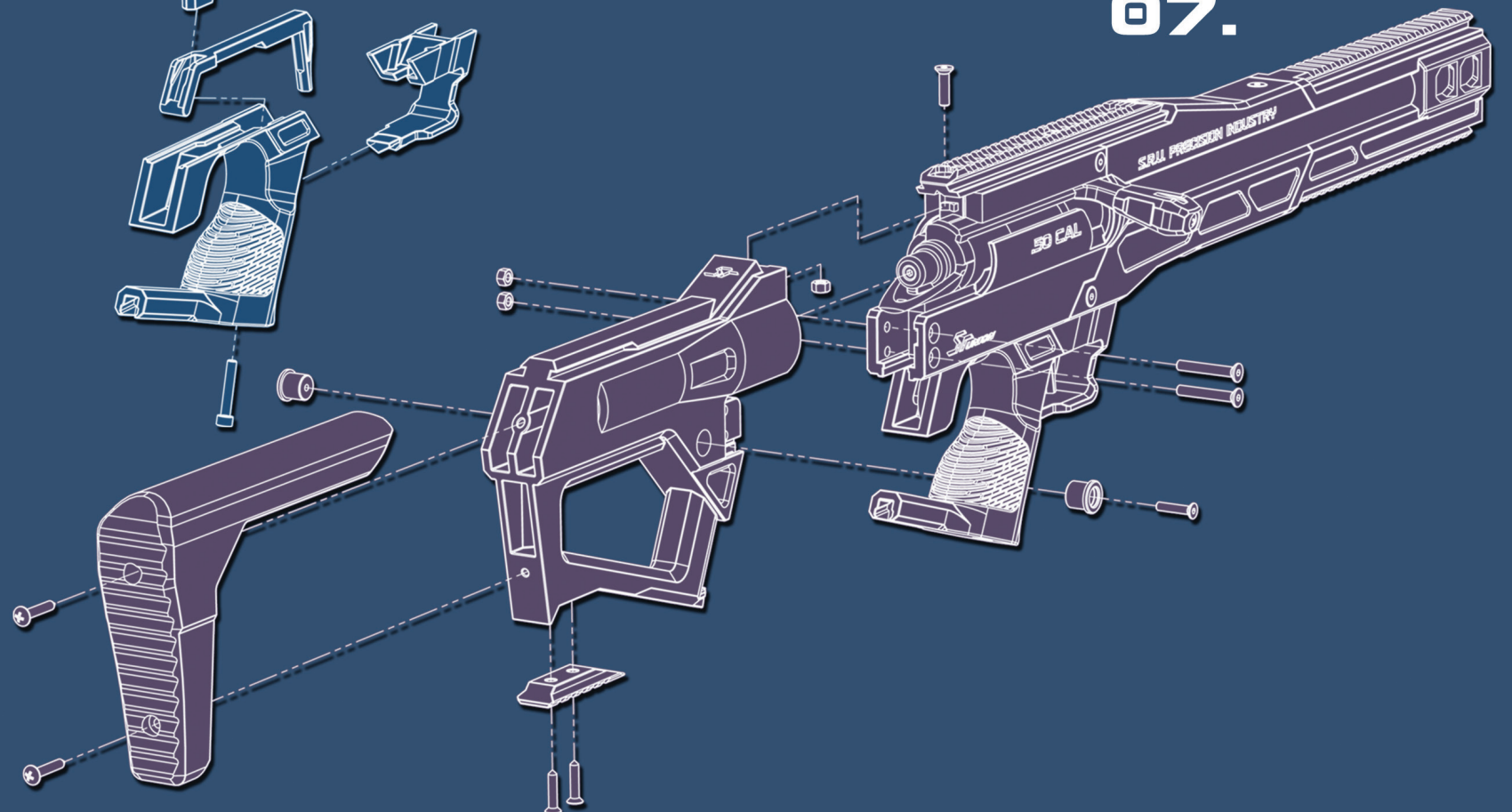
05.



06.



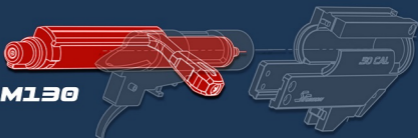
07.



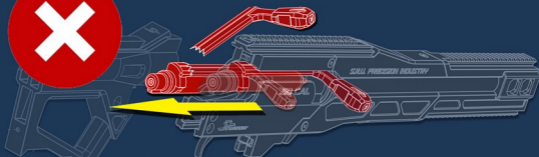
TECHNICAL SUPPORT  
SRU.PRECISION@GMAIL.COM  
WWW.SRU-PRECISION.COM  
WWW.FACEBOOK.COM/SRUGBB



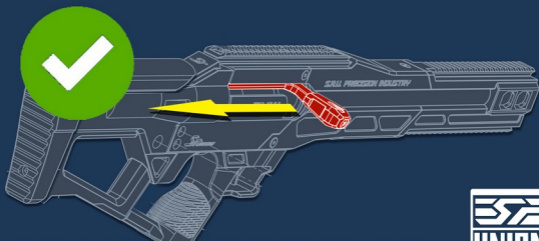
## **MAXIUM M130**



**FOR SAFETY REASON, THE 3D PRINTING COCKING HANDLE ONLY CAN DRIVE UP TO M130 SPRING. IF OVER THAN M130, IT MAY CAUSE THE COCKING HANDLE BROKEN.**



**DON'T PULL THE COCKING HANDLE BEFORE MOUNTING THE REAR FRAME. IT MAY CAUSE THE COCKING HANDLE BROKEN**



**PLEASE PULL THE COCKING HANDLE AFTER MOUNTING THE COMPLETE FRAME.**

